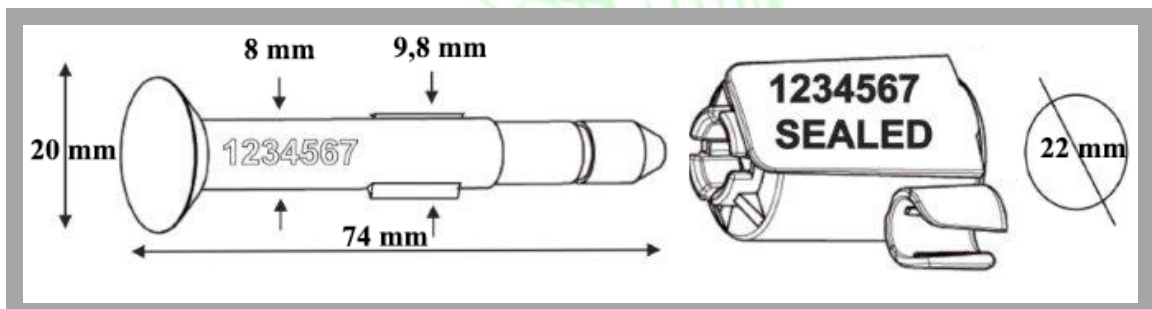


NEPTUNESEAL Boltseal



NEPTUNESEAL is a **bolt seal**, compliant with high security international standard [ISO 17712:2013](#) and specifically with the requirement of having the internal metal part exceeding 18 mm. Two metal tabs are attached to the bolt, which securely slot into the locking channel, thus preventing any breaching by high speed spinning. Any tampering attempt will give evidence of irreparable damage onto the **bolt lock seal**.

Description	High security bolt seal. Recommended for high value- and international shipments
Pull strength	>1.000 kg
Material - Barrel	Polystyrene
Material - Bolt	Carbonitrided steel
Logo	Yes
Text	Yes
Barcode	Yes
RFID	Yes
Color	See illustration below
Application	Shipping containers and cargo containers



Colors



Marking Options

- Laser etching
- Sequential numbering up to 15 digits
- Barcode
- Data Matrix
- RFID option
- Customized printing up to 20 alphanumeric characters on one single line
- Client logo printing or embossing on request

